

- NEMA Enclosure
 - Painted Metal - NEMA 4/12
 - Plastic - NEMA 6P/12
- DC Power Supply
 - IOS-PP-825
- Antenna Options
 - E = Enclosure Mount (3 dB)
 - B = External via RF Cable
- Lighting Protector
- 3' RF Cable
- DIN Rail (TS 35)



The ioSelect enclosures simplify a wireless application specification and installation. The enclosures come complete with everything but the radio and the IO. The IOS-WAC-ENCL01-E features a plastic weatherproof housing, an interference-free 60 W power supply, a lighting protector, an enclosure mounted omni antenna and a cable that connects the lightning protector to the radio. Two sets of DIN rail are included: one for mounting the IO and/or radio (depending on the radio mounting method), the other has terminal blocks for power, RS-485 communications and/or IO. There are two glands installed, one for power, one for the communications and signal wires. The IOS-WAC-ENCL02 includes a painted metal housing, and the same internal components. The "B" option (IOS-WAC-ENCL01-B) is selected when the antenna must be mounted remotely from the radio components. The RF cable and desired antenna used with the "B" option enclosures are sold separately.

The ioSelect wireless enclosures are perfect for many applications. Integrate ioSelect's industrial wireless products into the enclosures or have it delivered with the radios and IO programmed, tested and ready to install and operate. Transmission distances are up to 20 miles, depending upon the location and topology.

Wireless product specification and installation made easy from ioSelect.

IOS-WAC-ENCL01-E or B Specifications

Housing	Submersible Fiberglass NEMA 6P/12 Padlockable Latch Gray
Dimensions	13.6" H X 13.5" W X 6.6" D
DIN Rail	9" available Terminal blocks included
Power Supply	IOS-PP-825
Voltage	24 Vdc
Current	2.5 A
Cable	IOS-WAC-RG58-03, 3', 90° RSMA to N-Male
Lightning Protector	IOS-WAC-LPG-NMNF (-E) IOS-WAC-LPG-NFNF (-B) (each with a replaceable tube: IOS-WAC-LP-RGT)
Antenna	
Enclosure	IOS-WAC-OMNI-3E, 3 dB, 900 MHz
External	IOS-WAC-OMNI-6P, 6dB, pole mount IOS-WAC-Y6, Yagi, 6 dB

IOS-WAC-ENCL02-E or B Specifications

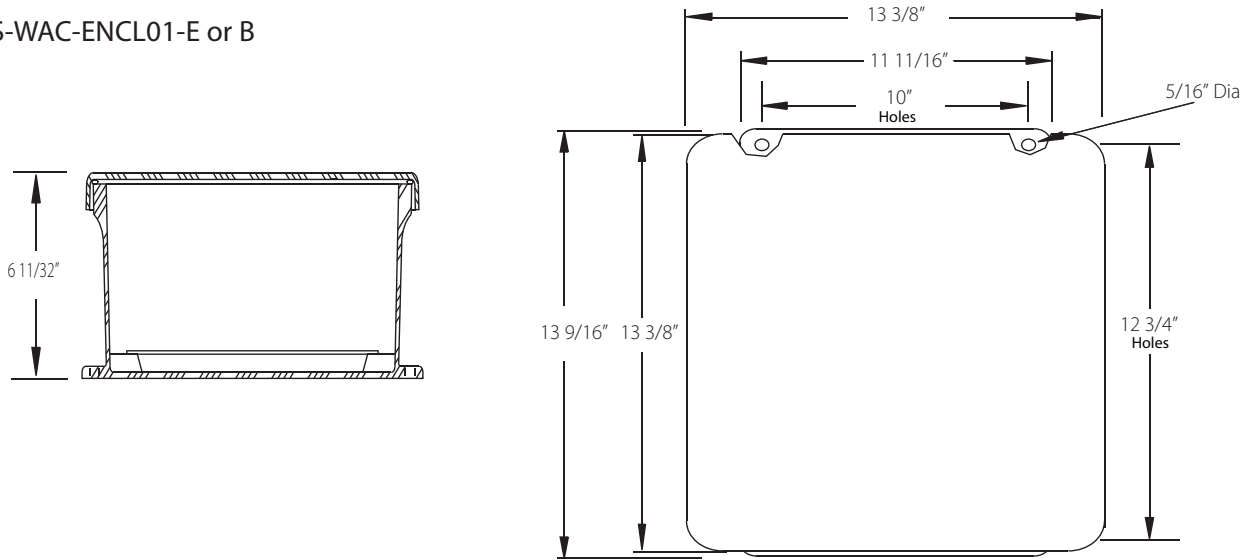
Housing	Washdown Outdoor Steel NEMA 4 Key latch available Gray
Dimensions	11.8" H X 9.8" W X 5.9" D
DIN Rail	6" available Terminal blocks included
Power Supply	IOS-PP-825
Voltage	24 Vdc
Current	2.5 A
Cable	IOS-WAC-RG58-03, 3', 90° RSMA to N-Male
Lightning Protector	IOS-WAC-LPG-NMNF (-E) IOS-WAC-LPG-NFNF (-B) (each with a replaceable tube: IOS-WAC-LP-RGT)
Antenna	
Enclosure	IOS-WAC-OMNI3E, 3 dB, 900 MHz
External	IOS-WAC-OMNI6P, 6dB, pole mount IOS-WAC-Y6, Yagi, 6 dB

Ordering Information:	IOS-WAC-ENCL01-E	Wireless IO NEMA 4 Enclosure - Plastic
	IOS-WAC-ENCL02-E	Wireless IO NEMA 4 Enclosure - Metal
	IOS-WAC-ENCL01-B	Wireless IO NEMA 4 Enclosure - Plastic
	IOS-WAC-ENCL02-B	Wireless IO NEMA 4 Enclosure - Metal

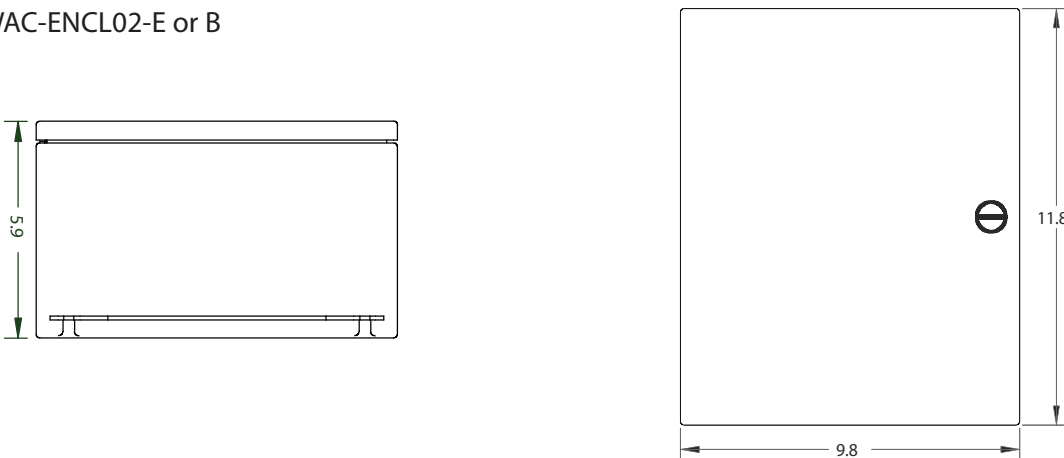
See next page for complete list of accessory part numbers

Dimensions

IOS-WAC-ENCL01-E or B



IOS-WAC-ENCL02-E or B



IOS-WAC-ENCL01-E	Wireless IO NEMA 4 Enclosure - Plastic
IOS-WAC-ENCL02-E	Wireless IO NEMA 4 Enclosure - Metal
IOS-WAC-RW	Rubber Whip Antenna, RP-SMA Male
IOS-WAC-Y6	Yagi Antenna (6dB), N Female
IOS-WAC-OMNI6P	Omni Antenna (6dB), N Female, Includes Pole Mount Kit
IOS-WAC-OMNI3E	Omni Antenna (3dB), N Female, Enclosure Mount
IOS-WAC-LP-NFNF	Lightning Protector (N Female to N Female) - Replaceable Tube
IOS-WAC-LP-NMNF	Lightning Protector (N Male to N Female) - Replaceable Tube
IOS-WAC-LP-RGT	Replacement Gas Tube
IOS-WAC-RG58-03	RF Cable (3'), RP-SMA Male to N Male
IOS-WAC-RG58-RSMA03	RF Cable (3'), RP-SMA Male to RP-SMA Female (Bulkhead)
IOS-WAC-LMR400-025	LMR400 RF Cable (25') , N-Male to N-Male, Low Loss
IOS-WAC-LMR400-050	LMR400 RF Cable (50') , N-Male to N-Male, Low Loss
IOS-WAC-LMR400-100	LMR400 RF Cable (100') , N-Male to N-Male, Low Loss